



"Standard" Hopper Dryer

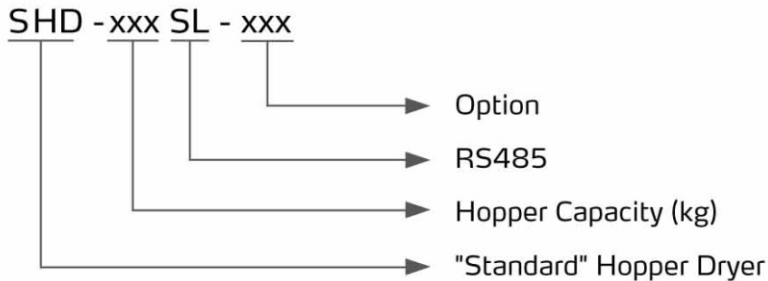
SHD-50SL



Refer carefully to this manual before operation.

SHD/SHD-EH Series

■ Coding Principle



■ Features

- Adopt hot air diffuser to gain an even hot air flow to improve drying efficiency.
- Hot air inlet elbow design can prevent dust piling up at bottom of the pipe heaters so as to avoid burning.
- All material contact surfaces are made of stainless steel to eliminate material contamination.
- Hopper separated from its base, ensuring convenient cleaning.
- Proportional deviation display thermostat for accurate temperature control.
- All series are equipped with exposed power switch.
- For SHD-25~150SL, heater pipes are connected by aluminum sheets and other models are equipped with temperature protection to prevent heater pipe from damaging by blower faults.
- Overheat tripping can automatically cut off power when drying temperature exceeds set deviation value.
- Adopts heat-insulated blower to prolong blower lifespan.
- All series of models standard equipped with 24-hours timer and RS485 communication port
- All series of models adopt PCB controller for convenient operation.



SHD-800SL

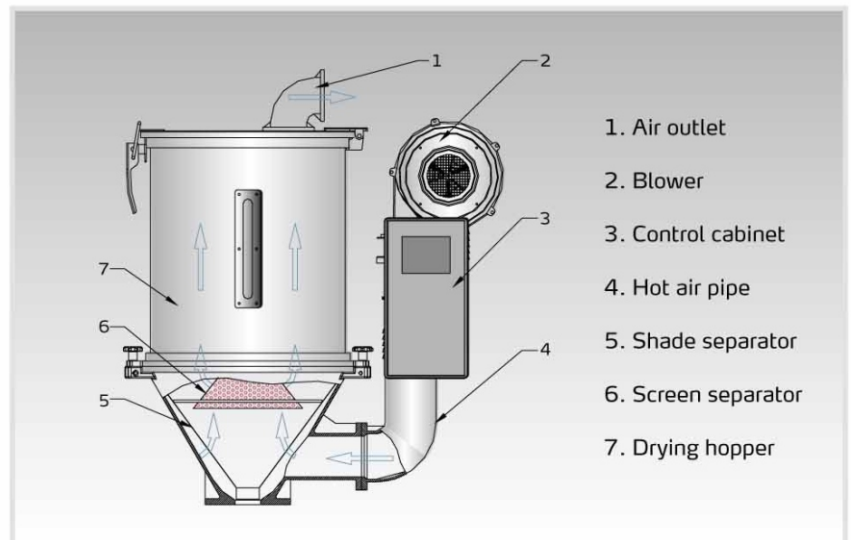


Hopper Inside

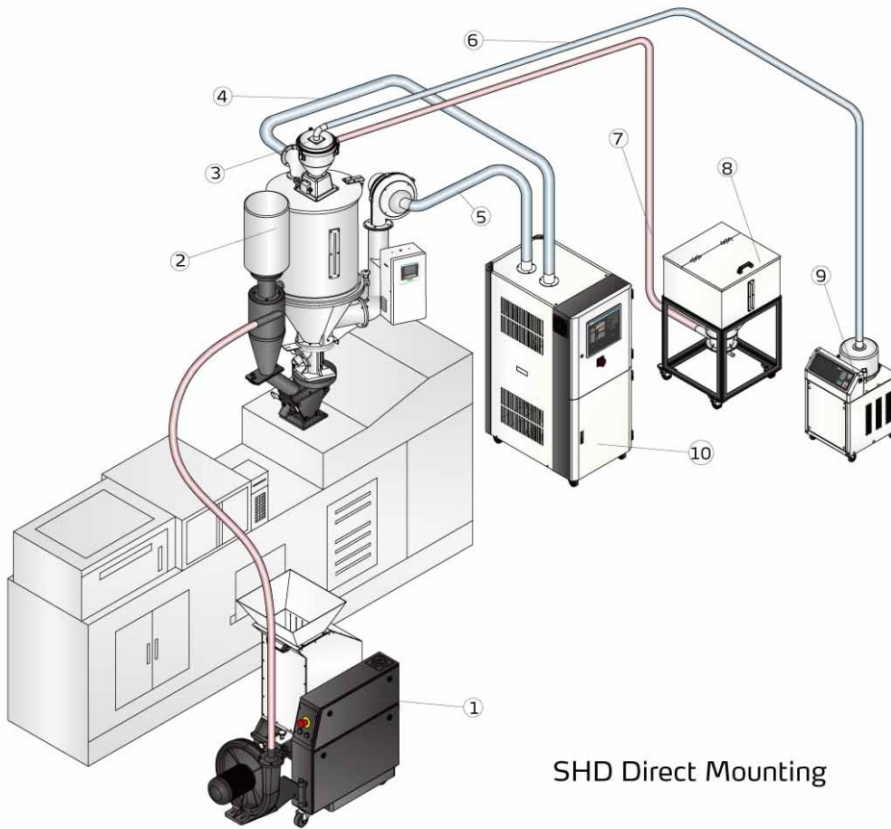
■ Working Principle

In the drying process, hot air with constant temperature is blown by a blower into a two-layer insulated hopper to dry the materials. Moisture will be separated out and taken away by hot air, thus to gain a satisfied drying effect.

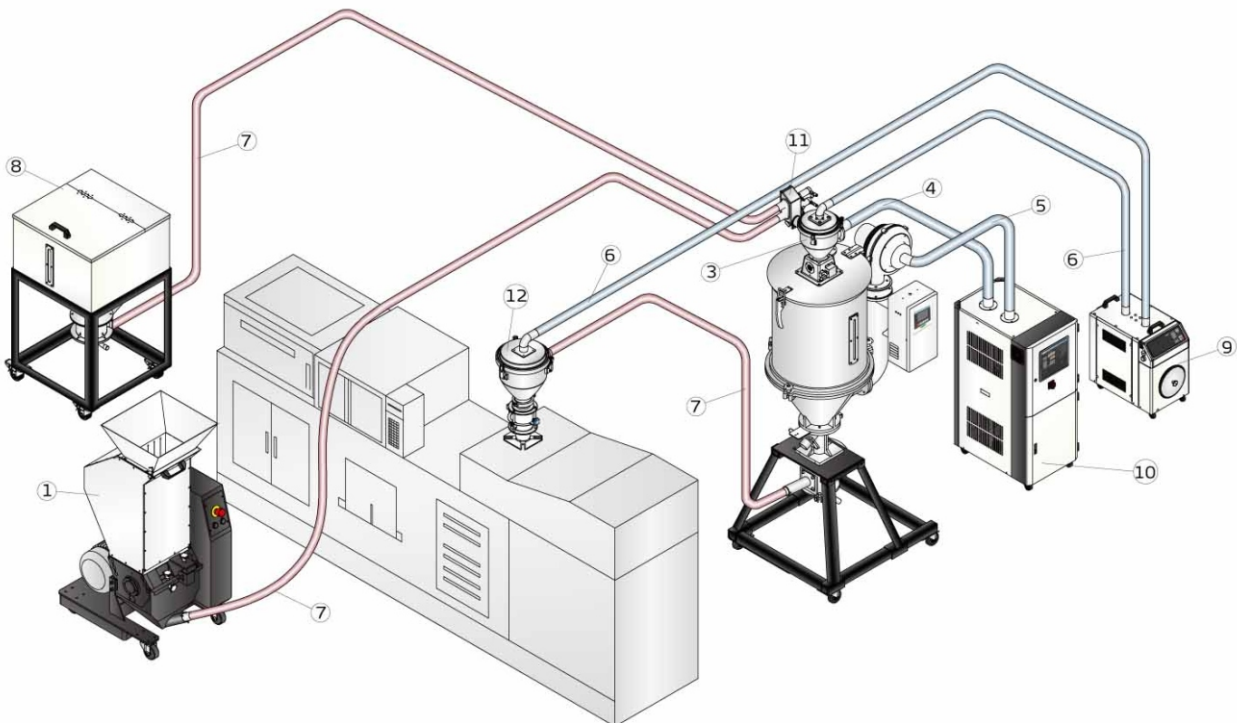
Air blown out of blower became high temperature drying air after being heated. Through screen protector and hole screen, hot air can be equably dispersed in the material of storage tank (see picture). Hot air recycler is optional so the air enter drying blower after being filtered to form a closed loop circle and save electricity.



Application



1. Low-speed granulator
2. 30-sec instant recycle
3. Vacuum hopper
4. Return air
5. Dehumidifying air
6. Vacuum pipe
7. Material pipe
8. Material tank
9. Auto loader
10. Honeycomb dehumidifier
11. Proportional valve
12. Photosensor hopper



SHD/SHD-EH Series

Options



Cyclone Dust Separator

Effectively filter 80% of dust-contain air discharged from dryer to avoid air pollution.

Model	HCF-2
Applied to	SHD-25-150
Dia. (inch)	3



Air Filter

Effectively filter 99% of dust-contain air discharged from dryer to avoid air pollution.

Model	Applied to
ADC-1	SHD-12
ADC-2	SHD-25-150
ADC-3	SHD-200-1000

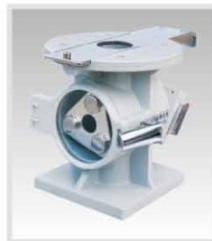
Blower Inlet Filter



Model	Applied to
AIF-12	SHD-12
AIF-25	SHD-25
AIF-50	SHD-50/75
AIF-100	SHD-100/150
AIF-200	SHD-200-500
AIF-600	SHD-600
AIF-800	SHD-800-1000

Notes: refill air input of the blower is adjustable.

Magnetic Base



Model	MB-12	MB-50	MB-100	MB-400
Applied to	SHD-12	SHD-25-75	SHD-100-300	SHD-400 and models above
Magnetic Frame	MR-3			
Aluminum Holder ²	mm	88.5×78×2.3	118.5×105×2.3	147×130×2.3
	Inch	3.5×3.0×0.09	4.7×4.1×0.09	5.8×5.1×0.09

Made of aluminum with built-in hopper magnet, can effectively separate metal scraps out to avoid material contamination. (MB-400 is standard configuration)

Hot Air Recycler



Work with hopper dryer to make the hot air form a semi-closed circulated loop and has features as follows:

- 1) Hot air recycling and circulating avoids indoor temperature rising up.
- 2) Keep air in factory clean and ensure good product quality.
- 3) Heating by fast hot air circulation can lower energy consumption by 40%.

Model	HAR-12	HAR-25	HAR-50	HAR-100	HAR-200	HAR-600	HAR-800
Filtering Barrel Dia.	mm		157	175	219	245	
	Inch		6.2	6.9	8.6	9.6	
Inlet Air Pipe Dia. (inch)	2	2.5	3		4		
Flange of Air Outlet (inch)							
Applied to	SHD-12	SHD-25	SHD-50 / 75	SHD-100/150	SHD-200-500	SHD-600	SHD-800-1000

Material Suction Box

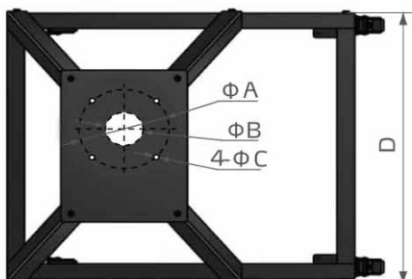
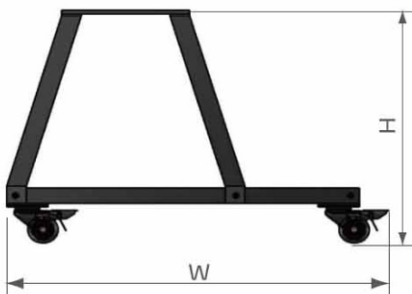
European style in appearance design, work with dryer that has a floor stand and vacuum loader, suitable for material suction and discharging.



Applied to Model	SHD-12-75	SHD-100以上
SBU	-20-38S	-160-38S
SBU	-20-50S	-160-50S
SBU	-20-38D	-160-38D
SBU	-20-50D	-160-50D

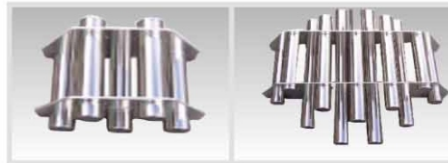
Notes: 1) Install pneumatic shut off valve (add "V" at the end of the model code).
 2) Change into stainless steel material (add "S" at the end of the model code).
 3) Stainless steel polishing (add "P" at the end of the model code).
 4) "S" stands for single tube suction box and "D" stands for double tubes suction box.

N-Type Floor Stand



Hopper Magnet

Absorb metal scraps in the material to avoid the damage of molding screw.



Item	Model	MR-5	MR-7	MR-9	MR-11
Applied to		SHD-12	SHD-25~75	SHD-100~400	SHD-600 and above
Aluminum Holder×2	mm	148×80×2.3	190×80×2.3	240×80×2.3	298×80×2.3
	Inch	5.8×3.1×0.09	7.5×3.1×0.09	9.4×3.1×0.09	11.7×3.1×0.09

With which machines can be easily moved out of workplace which is suitable for the factories with height limited workshops, also it can make operations more convenient.

Model	FSN-50	FSN-100	FSN-200	FSN-400	FSN-800	
Applied to	SHD-12~75	SHD-100/150	SHD-200/300	SHD-400~600	SHD-800/1000	
Dimension H×W×D	mm	600×700×640	615×800×710	680×1000×840	700×1200×1010	700×1600×1180
	Inch	23.6×27.6×25	24.2×31.5×28	26.8×39.4×33	27.6×47.2×39.8	27.6×63×46.5
A / B / C	mm	140/54/9	210/90/11	260/116/13		
	Inch	5.5/2.1/0.4	8.3/3.5/0.43	10.2/4.6/0.5		

Material Tank

Equipped with 38mm single-tube suction box, the tank is used to store and convey material to places like hopper loaders to avoid pollution.

Model	MST-50	MST-100	MST-200	MST-300	MST-500	
Capacity*	kg	50	100	200	300	500
	lb	110	220	441	661	1102
Dimension H x W x D	mm	985×515 ×515	1175×615 ×615	1170×815 ×815	1365×930 ×930	1465×1240 ×1240
	Inch	38.8×20.2 ×20.2	46.3×24.2 ×24.2	46×32 ×32	53.7×36.6 ×36.6	57.7×48.8 ×48.8

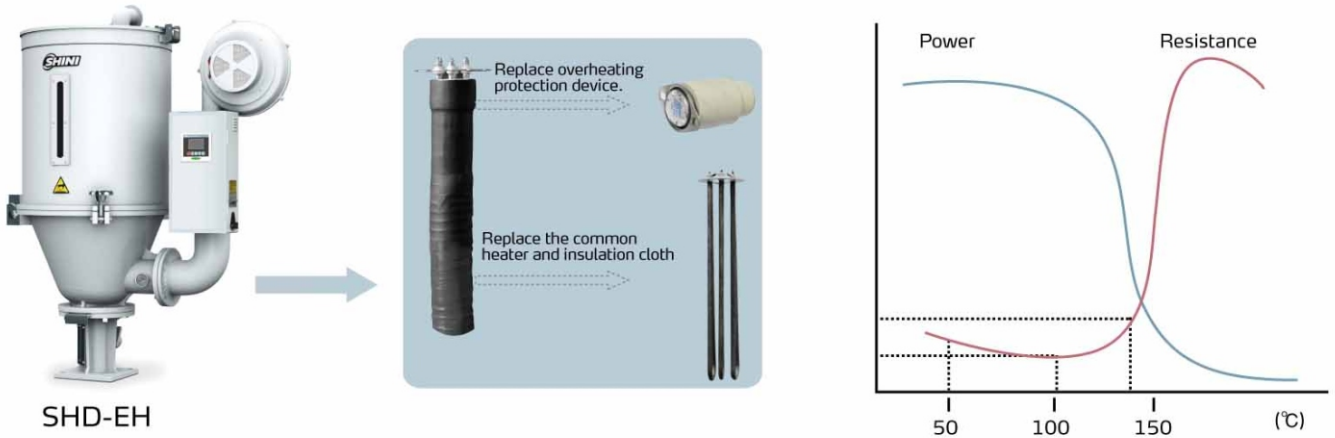
Notes: 1) "*" stands for above loading capacity is based on pellet material of 0.65kg/L (5.5lb/gal) in bulk density and 3-5mm(0.1-0.2inch) in diameter.
 2) Special models can be customized.

SHD/SHD-EH Series

Options

SHD-EH adopts the energy-saving heater

The energy-saving heater uses a special made resistance to heat up. When the heating temperature reaches to a critical value, the resistance value will go up rapidly, sometimes even increase by several orders of magnitude. Consequently, the current going through the heater will rapidly decrease, which actually makes the power reduce to make its temperature not go up any more and keep it in a certain temperature.



- Add 24-hours timer, add "T" at the end of the model code.
- Adopt double-layer heat insulated hopper, add "I" at the end of the model code.
- Adopt European safety circuit, add "CE" at the end of the model code.
- Optional with high-temp. model, at "H" at the end of the model code.

Outline Drawings





Specifications

Model	SHD-	12SL	25SL	50SL	75SL	100SL	150SL	200SL	300SL	400SL	500SL	600SL	800SL	1000SL
Heater Power (kW)		2.2/3*	3/3.3*	3.9/4.2*	4.2/4.8*	6/6.6*	6.6/7.2*	12/15*	15	18	19.5	21	24	32
Blower Power (kW)		0.05	0.12	0.12	0.12	0.12	0.12	0.18	0.18	0.18	0.18	0.55	1.1	1.1
Loading Capacity	kg	12	25	50	75	100	150	200	300	400	500	600	800	1000
	lb	26.5	55.1	110.2	165.3	220.5	330.7	441	661.4	881.8	1102.3	1322.8	1763.7	2204.6
H	mm	790	1015	1145	1240	1340	1620	1580	1980	2170	2350	2570	2760	3060
	Inch	31.1	40	45	48.8	52.8	63.8	62.2	80	85.4	92.5	101	108.7	120.5
H1	mm	690	925	1045	1150	1340	1605	1332	1432	1900	1900	2075	2300	2530
	Inch	27	36.4	41.1	45.3	52.8	63.2	52.4	56.4	74.8	74.8	81.7	90.6	99.6
H2	mm	317	410	380	475	470	470	550	550	838	838	838	1010	1010
	Inch	12.5	16.1	15	18.7	18.5	18.5	21.7	21.7	33	33	33	39.8	39.8
H3	mm	370	460	520	620	725	970	975	1220	1220	1400	1545	540	540
	Inch	14.6	18.1	20.5	24.4	28.5	38.2	38.4	48	48	55.1	60.8	21.3	21.3
H4	mm	106	194	206	208	233	233	184	184	334	334	334	1550	1845
	Inch	4.2	7.6	8.1	8.2	9.2	9.2	7.2	7.2	13.1	13.1	13.1	61	72.6
H5	mm	115	150	150	150	158	158	158	158	283	283	283	283	283
	Inch	4.5	5.9	5.9	5.9	6.2	6.2	6.2	6.2	11.1	11.1	11.1	11.1	11.1
W	mm	660	725	840	900	955	955	1230	1230	1365	1365	1365	1420	1420
	Inch	26	28.5	33	35.4	37.6	37.6	48.4	48.4	53.7	53.7	53.7	55.9	55.9
D	mm	360	405	490	550	605	605	770	770	915	915	950	600	600
	Inch	14.1	15.9	19.3	21.7	23.8	23.8	30.3	30.3	36	36	37.4	23.6	23.6
D1	mm	130	158	158	158	238	238	238	238	345	345	345	345	345
	Inch	5.1	6.2	6.2	6.2	9.4	9.4	9.4	9.4	13.6	13.6	13.6	13.6	13.6
W1	mm	130	148	148	148	238	238	238	238	345	345	345	345	345
	Inch	5.1	5.8	5.8	5.8	9.4	9.4	9.4	9.4	13.6	13.6	13.6	13.6	13.6
ΦA	mm	325	385	470	530	595	595	750	750	910	910	910	960	960
	Inch	12.8	15.2	18.5	20.9	23.4	23.4	29.5	29.5	35.8	35.8	35.8	37.8	37.8
ΦB	mm	55	55	55	55	90	90	90	90	105	105	105	105	105
	Inch	2.2	2.2	2.2	2.2	3.5	3.5	3.5	3.5	4.1	4.1	4.1	4.1	4.1
Net Weight	kg	35	40	45	55	70	75	100	120	165	170	240	280	300
	lb	77	88	99	121	154	165	220	265	364	375	529	617	661

Notes: 1) Above loading capacity is based on pellet material of 0.65kg/L(5.5lb/gal) in bulk density and 3-5mm(0.1-0.2inch) in diameter.
 2) "*"Stands for high-temp.model, add "H" at the end of model code.
 3) Maximum drying temperature of SHD-EH is 150°C/302°F
 4) Power: 3Φ, 230/400/460/575VAC, 50/60Hz.

We reserve the right to change specifications without prior notice.

Shini Group

Addr: No. 23, Minhe St., Shulin Dist.,
New Taipei, Taiwan

Tel: +886 2 2680 9119

Fax: +886 2 2680 9229

Email: shini@shini.com

Factories:

- Taiwan
- Dongguan
- Pinghu
- Ningbo
- Chongqing
- Pune

2016-01-15-04 Copyrights Reserved.

www.shini.com